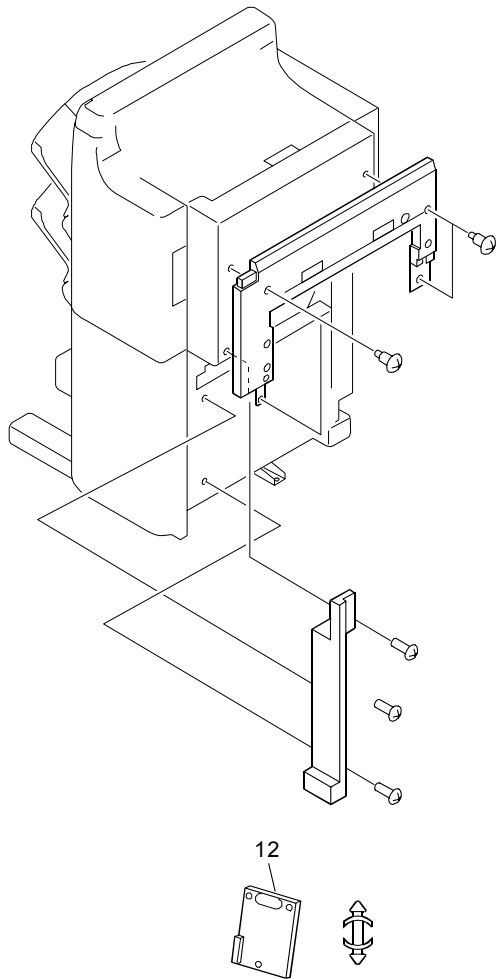


|                                   |                 |               |
|-----------------------------------|-----------------|---------------|
| Model: Triton-C1 Finisher (SR940) | Date: 25-Mar-05 | No.: MB722001 |
|-----------------------------------|-----------------|---------------|

|  |   |   |  |
|--|---|---|--|
| Modified Article: IPC Board                        |   | Prepared by: M. Tsuyuki                         |  |
| From: 1st Tech. Support Sec. Service Support Dept. |   |   |  |
| Reason for Modification:                           | <input type="checkbox"/> Parts catalog correction | <input type="checkbox"/> Vendor change          | <input type="checkbox"/> To meet standards ( ) |
|  | <input type="checkbox"/> To facilitate assembly   | <input type="checkbox"/> To improve reliability |  |
|  | <input type="checkbox"/> Part standardization     | <input checked="" type="checkbox"/> Other       |  |

| Old part number | New part number | Description                                       | Q'ty | Int | Page | Index |
|-----------------|-----------------|---|------|-----|------|-------|
| B7231018        | B7231118        | IPC Board (4402352650)<br>IPC Board (6LE00885000) | 1    | X/O | 3    | 12    |

**Change:** The materials for this part were changed to more environmentally-friendly types.  
**Reason:** This is part of Ricoh's ongoing application of in-house environmental standards.



|                                   |                 |               |
|-----------------------------------|-----------------|---------------|
| Model: Triton-C1 Finisher (SR940) | Date: 25-Mar-05 | No.: MB722001 |
|-----------------------------------|-----------------|---------------|

**CUT-IN SERIAL NUMBERS**

Model:

From:

B722-17

K3441000001

B723-17

K3541000001